



Thermal Transfer Overprinting

Videjet DataFlex® 6330

The Videjet DataFlex® 6330 combines the need for code accuracy with the even higher quality technology, therefore reducing time and packaging waste, to give an overall more productive operation.

Featuring a 53mm printhead that performs both intermittent printing and continuous printing at a maximum speed of 750mm/second, the 6330 is built with an intelligent design to withstand tough production line environments, and intelligent maintenance with minimal parts wear and easy to change ribbons.

The Videjet DataFlex® 6330 comes standard with Videjet iAssure™ code quality assurance technology, which automatically detects common print defects, helping to ensure high-quality codes are applied to your packages time after time. Combined with our CLARiTY™ software, the 6330 reduces the potential for print and coding errors, reducing waste and rework with no extra manpower or equipment.



Uptime Advantage

- iAssure™ helps customers identify print defects before they impact multiple products which could cause unplanned downtime
- iAssure™ predicts events when a dirty printhead or worn print platen/roller is present to avoid production line downtime
- Cleverly designed ribbon cassette holds 1200m ribbons to reduce the number of changeovers, and allows for fast ribbon replacement to maximize production line update

Built-in productivity

- Easy to track ribbon usage per printhead to help analyze cost per code on each production line
- Electronic printhead control eliminates the need for clean, compressed air
- Monitor number and frequency of print defects to help identify defect trends

Code Assurance

- iAssure™ detects common print defects and issues a warning before a lot of product has print quality issues, subsequently creating waste or requiring reworked product
- CLARiTY™ software helps ensure the right code is consistently printed on the right product, and in the right place
- Reduce packaging with coding errors that need to be reworked without spending any additional manpower time

Simple usability

- Designed to withstand the toughest of production line environments
- Easy to change minimal wear parts, increasing production line uptime
- Compact design to fit on the tightest of production lines
- All electronic design eliminates the need for excess air pressure on the film and print platen/roller

Videojet DataFlex[®] 6330

Thermal Transfer Overprinting

Printhead

53mm, 300dpi (12dot/mm)

Print area

Intermittent printing mode: 2.1" (53mm) wide x 3.0" (75mm) long
Continuous printing mode: 2.1" (53mm) wide x 7.9" (200mm) long

Minimum print speed¹

Intermittent mode: 1.6 in./sec (40mm/sec) full print quality; 0.4 in./sec (10mm/sec) draft mode print quality
Continuous mode: 1.6 in./sec (40mm/sec) full print quality; 0.04 in./sec (1mm/sec) draft mode print quality

Maximum print speed¹

29.5 in./sec (750mm/sec)

Maximum throughput¹

Up to 250 prints per minute

iAssure[™] code quality assurance detector

Detectable Defects

Damaged print platen/roller
Dirty printhead
Damaged printhead
Ribbon wrinkles
Uneven print surface
Overprints
Misaligned printhead

Printing capabilities

Full downloadable font support using TrueType[®] fonts (including multiple languages and Unicode support); fixed, variable and merged text fields; flexible date/time formats; flexible shift code formats; auto best before date calculations and concession management; calendar rules; auto incrementing/decrementing text, counters and bar codes; multiple graphic formats supported (up to maximum print area); link fields to databases; scalable text and text blocks

Bar codes

EAN 8, EAN 13, UPC-A, UPC-E, Code 39, EAN 128, Code 128, ITF, RSS (including 2D composite codes), DataMatrix, QR; others available upon request

Operator interface

TFT SVGA 800x480 full-color LCD and touch screen, WYSIWYG print preview, full on-board diagnostics, 3 levels of password protection, extensive language support

Ribbon range

Full assortment of wax/resin and resin ribbons

Maximum ribbon length

Lengths up to 1,200 meters available, dependent on ribbon composition and color

Ribbon widths

0.8" (20mm) min, 2.2" (55mm) max

Nominal gap between successive prints

0.02" (0.5mm)

Ribbon saving features²

Radial, interleaved, intermittent stripes

Image design software

CLARISOFT[™]

Network management software

CLARINET[™]

Remote coder configuration software

CLARITY[™] Configuration Manager
"Off-line" set up and parameter storage available as standard

Standard installation options master/follower configuration

Up to four Videojet DataFlex[®] 6530 printers controlled via a single CLARITY control unit

Web browser mode

Control Videojet DataFlex[®] 6530 units remotely through the host packaging machine interface

External communications

RS232, dual Ethernet, USB memory stick and scanner support, Binary and ASCII comms protocols, Windows drivers ZPL and SATO emulations

External inputs/outputs

3 PNP inputs
2 relay outputs and 2 PNP +24V outputs

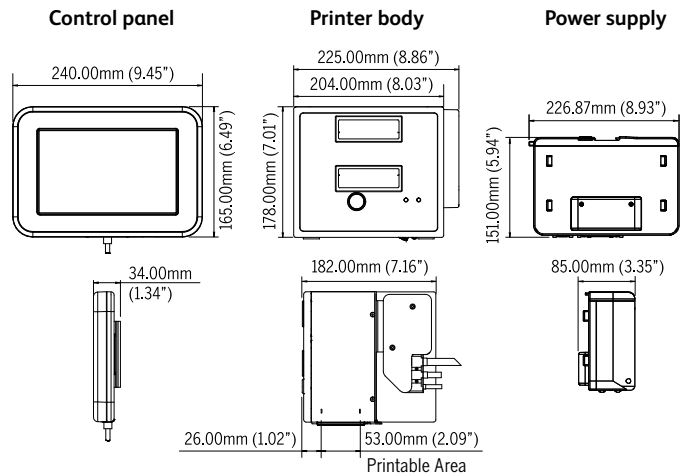
Power supply

100-240VAC

Operating temperature

0-40°C (32-104°F)³

³ With selected ribbons. Actual installation may require additional hardware based on production environment conditions.



¹ Application dependent

² Not to be used in conjunction with iAssure[™]

CERTIFIED
ISO 9001
DOCUMENTED QUALITY



Call **800-843-3610**

or visit **www.videojet.com**

or email **info@videojet.com**

Videojet Technologies Inc.
1500 Mittel Blvd. Wood Dale IL 60191 / USA

©2017 Videojet Technologies Inc. — All rights reserved.

Videojet Technologies Inc.'s policy is one of continued product improvement. We reserve the right to alter design and/or specifications without notice. TrueType is a registered trademark of Apple Inc., registered in the United States and other countries.

Part No. SL000648
ss-6330-us-0517
Printed in U.S.A.

